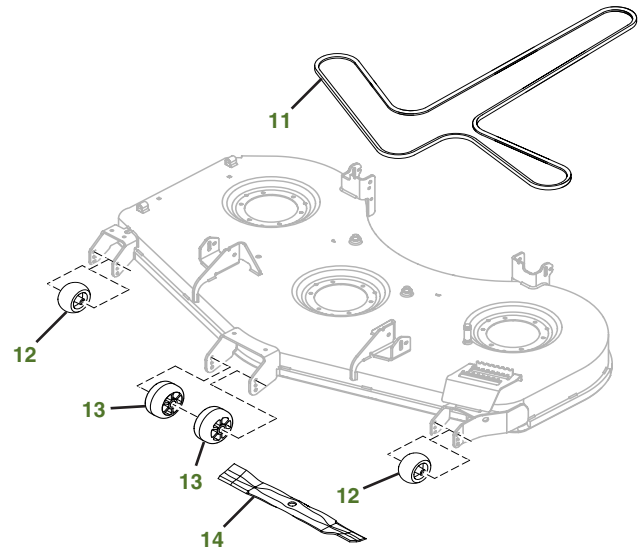
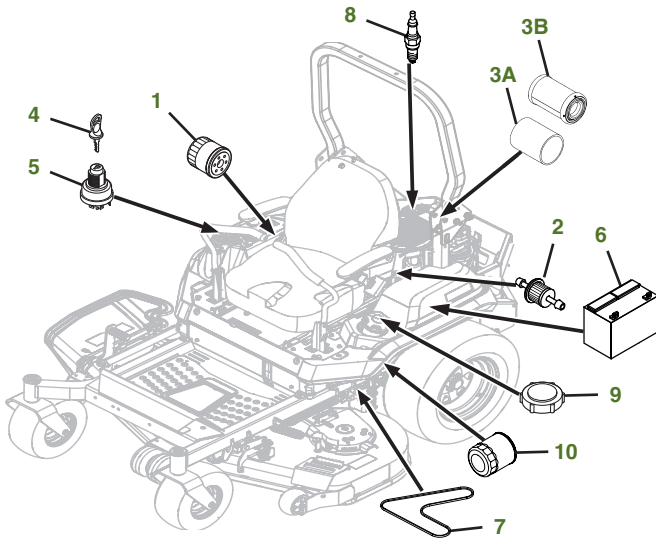


# MAINTENANCE REMINDER SHEET

## Z735M with 60" High Capacity Deck



Machine S/N

Key	Part No.	Description	Key	Part No.	Description
1	<a href="#">AM125424</a>	ENGINE OIL FILTER	8	<a href="#">MIU11020</a>	SPARK PLUG
2	<a href="#">AM116304</a>	FUEL FILTER-IN-LINE	9	<a href="#">AM146138</a>	FUEL CAP
3A	<a href="#">MIU14496</a>	AIR FILTER - PRIMARY	10	<a href="#">MIU13018</a>	HYDRAULIC FILTER
3B	<a href="#">MIU14395</a>	AIR FILTER - SECONDARY	11	<a href="#">UC16435</a>	BELT-MOWER
4	<a href="#">AUC12681</a>	KEY	12	<a href="#">TCU18744</a>	GAGE WHEEL
5	<a href="#">AUC15805</a>	IGNITION SWITCH	13	<a href="#">TCU34060</a>	ROLLER WHEEL - FRONT
6	<a href="#">TY25221</a>	BATTERY	14	<a href="#">UC14208</a>	BLADE-HIGH LIFT 60"
7	<a href="#">UC15026</a>	BELT-TRACTION DRIVE		<a href="#">UC18055</a>	BLADE-MULCHING 60"
				<a href="#">BUC10595</a>	KIT-MULCHCONTROL™

### Parts Needed in First 250 Hours of Operation

Qty	Part No	Item	Qty or Capacity	Change Interval In Hours
5	<a href="#">TY22029</a>	1 qt Engine Oil Turf-Gard™ 10W-30	2.0 - 2.2 qt	100/200
2	<a href="#">AM125424</a>	Engine Oil Filter	1	100/200
1	<a href="#">MIU14496</a>	Air Filter - Primary	1	Annually or every 200 hours (whichever comes first)
1	<a href="#">MIU14395</a>	Air Filter - Secondary	1	Annually or every 200 hours (whichever comes first)
1	<a href="#">AM116304</a>	Fuel Filter	1	Annually or every 300 hours (whichever comes first)
6	<a href="#">TY26674</a>	Hydraulic Oil - PLUS-50™ II 15W-40	5.3 qt	250
1	<a href="#">MIU13018</a>	Hydraulic Filter	2	250
1	<a href="#">TY24416</a>	JD Multi Purpose HD Lithium Complex Grease		As Needed

### "As Needed" Parts

Qty	Part No	Item
1	<a href="#">AM130907</a>	Mower Deck Leveling Gauge
1	<a href="#">TY26517</a>	Grease Gun

CLICK PART NUMBER TO BUY