

437E KNUCKLEBOOM LOADER



JOHN DEERE



READY TO RUN AND TAKE THE LEAD.

To stay ahead of the competition, you need to keep up at the landing. With powerful swing torque and lift force, streamlined hydraulics, reliable fluid economy, expansive visibility, and rugged components, the John Deere 437E Knuckleboom Loader is designed to withstand and take command of the most punishing logging environments. This proven performer sets the pace in the forest — and in its class — day after day.

It's easy to see

Redesigned cab-window guarding* minimizes external barriers to expand visibility to the front while a lower left-rear hood profile opens up the view behind the machine. LED lighting options, including two lights on the machine upper frame, help illuminate delimiting tasks.

*External front-window guarding removal meets operator-protection requirements.

Making the cut

Hydraulic options allow you to power a circle saw or self-propelled carrier, helping maximize uptime and productivity. Dedicated circle-saw pump increases cutting power and saw-recovery time, and it supports the requirements of all circle-saw sizes and applications.

Filling the vacuum

Conveniently located inside the cab, an optional battery-operated vacuum pump helps avoid oil leakage from hydraulic components and reduces maintenance waste.

Filter it out

A second hydraulic oil filter doubles change intervals to 2,000 hours. Inline diesel exhaust fluid (DEF) filter boosts system reliability and serviceability.

In the swing of things

Dedicated swing circuit provides the continuous power needed for noticeably productive delimiting and loading.

Simplified electrical system

The wiring harnesses of the electronic controller-based electrical system have been simplified to reduce the number of fuses, relays, and wires by approximately 30 percent compared to previous models. Diagnostic codes via the onboard display through JDLink™ ease fault detection.

Take control

With robust rotator pull-through for delimiting applications, plus maximum torque of 36,200 inch-pound, volume of 0.23 cord per eight-foot wood, and weight of 1,925 pounds, the Deere 52-inch log grapple confidently grabs, lifts, and tackles. Vehicle hydraulics tuned to the rotator enable precise operator control.

Fluid dynamics

John Deere EPA Final Tier 4 (FT4) engine maintains maximum engine performance while minimizing total fluid consumption — diesel fuel plus diesel exhaust fluid. Operating rpm has been optimized to improve fuel efficiency by more than five percent, on average, without loss of machine performance.

Cool and comfortable

Rear and left rear windows have been replaced with heat-deflecting sheet metal that keeps the sun's rays from scorching your back and neck while cooling the cab. Enhanced HVAC system stabilizes cab interior temperatures. Satellite-ready radio option can be activated to expand cab amenities.





**IMPROVED FORWARD &
REARWARD VISIBILITY**

COMPARED TO PREVIOUS MODEL

437E KNUCKLEBOOM LOADER

**PUT TECHNOLOGY TO WORK IN
THE WOODS AND AT THE OFFICE.**

Coordinate your operation and your team's productivity from wherever your work takes you with John Deere Precision Forestry and our core technology solutions.

FEATURES

Core intelligence

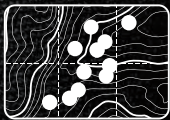
Your John Deere Forestry machine arrives from the factory equipped with a powerful set of technologies and capabilities already built in. Each plays an important role in managing the health and performance of your overall equipment fleet:

- **JDLink** connectivity lets you track your equipment, see which machines are working, and know if they're being utilized properly and at maximum productivity and efficiency.
- Enabled through JDLink, **John Deere Connected Support™** leverages a suite of dealer and factory tools designed to deliver increased uptime and productivity, and lower daily operating costs.
- **Remote Diagnostics and Programming Capability** within John Deere Connected Support helps your dealer warn you of any issue with your machine — often before you know of the problem yourself — and initiate solutions without charging you for a technician's visit to your jobsite.
- Our advanced dual approach to **Machine Health** combines the expertise of the technology specialists at our dealerships with the data specialists at our central Machine Health Monitoring Center (MHMC). As part of John Deere Connected Support, information from thousands of connected machines flows through the MHMC, enabling our specialists to identify trends and develop new and improved preventative-maintenance and repair protocols.

Precision Forestry

Take the guesswork out of planning, implementing, and monitoring your logging operation. The tools of our production-planning and -tracking system expand on the core technology features that come standard in every John Deere Forestry machine to unleash a powerful new array of possibilities:

- **TimberMatic™ Maps** is an innovative onboard software solution that helps you reimagine your jobsites. Real-time production views, optimized routes, and shared wireless connections between machines make it easier than ever before to take your forestry operation to the next level.
- **TimberManager™** is a web-based solution for PCs, tablets, and mobile phones that allows you to follow jobsite progress. Combined with TimberMatic Maps, this software provides complete visibility of your operation — from land harvested to specific machines — so you can streamline communication, analyze tasks, and increase productivity:
 - **Remote Monitoring** keeps tabs on the health and performance of your fleet from wherever you are.
 - **Precise Progress Tracking** lets you set goals for your team to meet throughout the day.
 - **Live Production View** displays progress including tree count, area harvested, and estimated tonnage.
 - **Simplified Mapping** of machine data and GPS-based location tracking shows precise stem and log counts.
 - **Real-Time Updates** let you adjust course or eliminate tasks if needed to maintain steady workflow.
 - **Fleet Optimization** goes beyond machine management to help improve the efficiency of your business.



JOHN DEERE
PRECISION FORESTRY
TOOLS ENABLE PRODUCTION
PLANNING & TRACKING

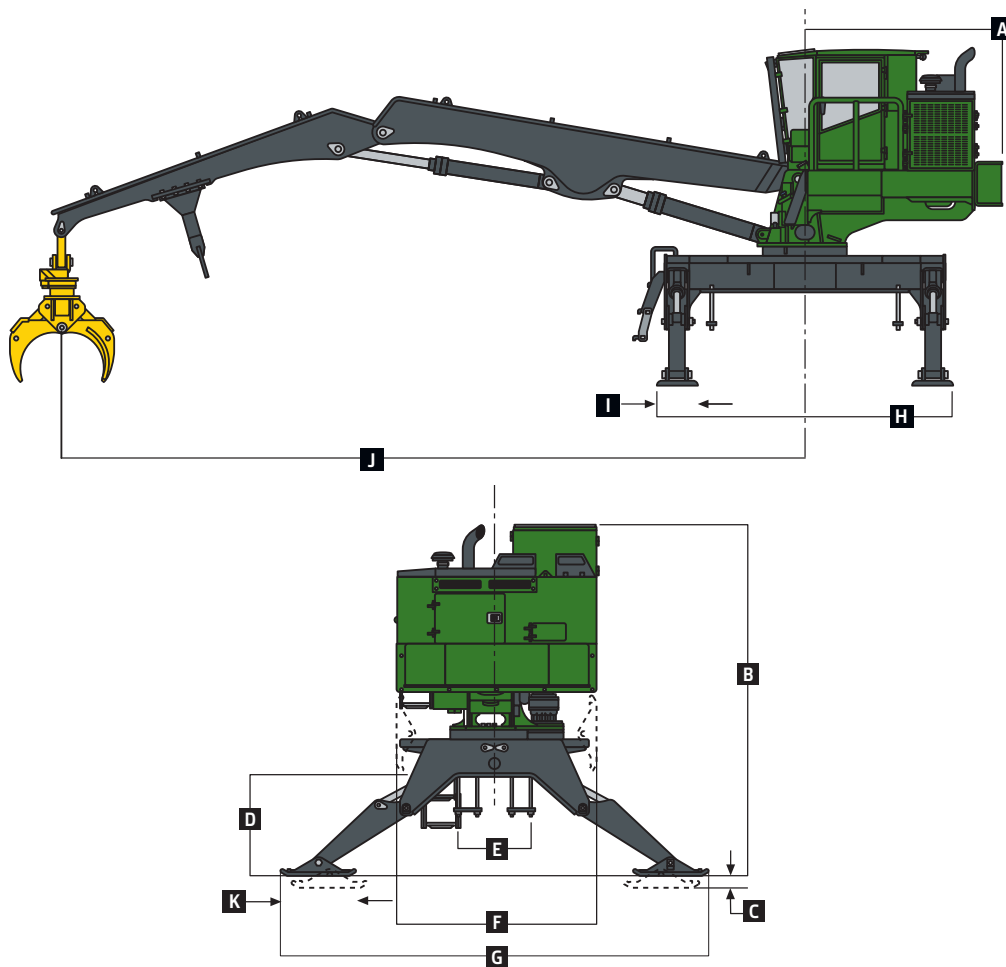
437E KNUCKLEBOOM LOADER SPECIFICATIONS

Engine		437E
Manufacturer and Model	John Deere 6068 HTJ57 PowerTech™ PVS	
Non-Road Emission Standards	EPA Final Tier 4/EU Stage IV	
Cylinders	6	
Valves per Cylinder	4	
Displacement	6.8 L (415 cu. in.)	
Gross Rated Power	129 kW (173 hp) at 2,000 rpm	
Net Torque Rise	21%	
Net Peak Torque	750 Nm (553 lb.-ft.) at 1,500 rpm	
Aspiration	Turbocharged, air-to-air aftercooled	
Air Cleaner	Dry-type with safety element	
Cooling		
Fan Type	Engine-driven ECU-controlled viscous clutch	
Hydraulics		
Main Pump	Tandem variable-displacement, axial-piston, load-sensing system	
Controls	Pilot levers, short stroke, low effort	
Fill System	12-volt electric-fill pump through return filter optional	
Cylinders		
Heat-treated, chrome-plated, polished cylinder rods; hardened steel (replaceable bushings) pivot pins		
Boom (1)		
Bore	180 mm (7.1 in.)	
Rod Diameter	95 mm (3.7 in.)	
Jib (1)		
Bore	160 mm (6.3 in.)	
Rod Diameter	95 mm (3.7 in.)	
Stabilizers (4)		
Bore	140 mm (5.5 in.)	
Rod Diameter	70 mm (2.8 in.)	
Electrical		
Voltage	12 volt	
Number of Batteries	2	
Battery Capacity		
At -17.8 deg. C (0 deg. F)	950 CCA	
At 0 deg. C (32 deg. F)	1,110 CCA	
Alternator Rating	200 amp	
Lights	Halogen: 2 front standard / Halogen: 2 front, 2 rear, 1 cab right side, 1 cab left side optional	
Boom		
Knuckleboom	9.76 m (32 ft. 0 in.)	
Swing Mechanism		
Swing Speed	10.0 rpm	
Drive	2-stage planetary gearbox with piston motor	
Bearing	Hardened gear, greaseable from cab	
Swing Torque	52 032 Nm (38,400 lb.-ft.)	
Serviceability		
Hinged engine side shields; local grease points; hydraulic "O"-ring face-seal connectors; ground-level hydraulic oil and filter changes; hydraulic oil electric fill-pump option		
Fluid-Change Intervals		
Engine Oil	500 hours	
Hydraulic Oil	2,000 hours	
Engine Coolant	6,000 hours	
Swing- and Pump-Drive Gearbox Oil (each)	1,000 hours	
Refill Capacities		
Fuel Tank	340 L (90.0 gal.)	
Diesel Exhaust Fluid (DEF) Tank	20 L (5.0 gal.)	
Cooling System	28 L (7.5 gal.)	
Engine Crankcase	20 L (5.3 gal.)	
Hydraulic Tank	151 L (40.0 gal.)	
Swing-Drive Gearbox	5.3 L (1.4 gal.)	
Pump-Drive Gear Case	5 L (1.4 gal.)	
Operating Weight (less attachment)		
Includes Standard Equipment, Half-Full Fuel Tank, All Fluids, 80-kg (175 lb.) Operator, and Grapple	15 909 kg (35,073 lb.)	

While general information, pictures, and descriptions are provided, some illustrations and text may include product options and accessories NOT AVAILABLE in all regions, and in some countries products and accessories may require modifications or additions to ensure compliance with the local regulations of those countries.

Machine Dimensions		437E		
A	Tail Swing	721.3 mm (28 in.)	G Stabilizer Spread at Ground Level	5309 mm (17 ft. 5 in.)
B	Machine Height	4112 mm (13 ft. 6 in.)	H Overall Lower Frame Length	3810 mm (12 ft. 6 in.)
C	Maximum Stabilizer Reach Below Grade	257 mm (10 in.)	I Stabilizer Pad Length	533 mm (21 in.)
D	Trailer Height	972 mm (3 ft. 2 in.)	J Boom Reach	9754 mm (32 ft. 0 in.)
E	Maximum Trailer Width	883 mm (35 in.)	K Stabilizer Pad Width	889 mm (35 in.)
F	Transport Width	2606 mm (8 ft. 7 in.)		

437E Knuckleboom Loader



Lift Capacity — 437E (no heel, bare pin)

Load Point Height	Reach — Horizontal from Centerline of Rotation					Maximum Weight at Maximum Distance
	3.1 m (10 ft.)	4.6 m (15 ft.)	6.1 m (20 ft.)	7.6 m (25 ft.)	9.1 m (30 ft.)	
Lifting Over Front						
6.1 m (20 ft.)		7660 kg (16,887 lb.)	6850 kg (15,102 lb.)	6220 kg (13,713 lb.)	3910 kg (8,620 lb.)	3675 kg (8,102 lb.) at 9.1 m (29.9 ft.)
4.6 m (15 ft.)		8960 kg (19,753 lb.)	7460 kg (16,446 lb.)	6480 kg (14,286 lb.)	5410 kg (11,927 lb.)	3580 kg (7,893 lb.) at 9.6 m (31.4 ft.)
3.1 m (10 ft.)	8980 kg (19,798 lb.)	10 500 kg (23,149 lb.)	8160 kg (17,990 lb.)	6780 kg (14,947 lb.)	5710 kg (12,588 lb.)	3800 kg (8,378 lb.) at 9.8 m (32.0 ft.)
1.5 m (5 ft.)	6180 kg (13,625 lb.)	11 730 kg (25,860 lb.)	8690 kg (19,158 lb.)	6950 kg (15,322 lb.)	5570 kg (12,280 lb.)	3880 kg (8,554 lb.) at 9.7 m (31.8 ft.)
Log Grapple		4048		4552		
Maximum Opening		1219 mm (48 in.)		1328 mm (52.2 in.)		
Minimum Opening		102 mm (4 in.)		115 mm (4.5 in.)		

While general information, pictures, and descriptions are provided, some illustrations and text may include product options and accessories NOT AVAILABLE in all regions, and in some countries products and accessories may require modifications or additions to ensure compliance with the local regulations of those countries.



MKBL437U (22-05)

Contact us to learn more.

JohnDeere.com/Knuckleboom
JohnDeere.ca/Knuckleboom



JOHN DEERE