

844 P

Wheel Loader



JOHN DEERE





PRIMED FOR PRODUCTIVITY



SEE IT LIKE NEVER BEFORE

New Advanced Vision System includes two digital cameras mounted on the rearview-mirror platforms that integrate with the rearview camera for a single display on a dedicated in-cab monitor. Overlaid within the monitor's rear-camera view, dynamic reversal projected-path lines help operators visualize the loader's anticipated reversal path based on its articulation, for sight lines to people or objects directly within the path.

LARGE AND IN CHARGE

READY TO DO THE HEAVY LIFTING.

Combining serious performance with fuel efficiency, customer-inspired components, and intuitive controls, our 844 P-Tier provides the muscle operators need to work productively and comfortably. Enhancements include increased horsepower, an ergonomically reimagined cab, and simplified service points. With its rugged EPA Final Tier 4/EU Stage V-compliant John Deere PowerTech™ diesel, high-capacity heavy-duty axles, and a wealth of proven options, this large-scale wheel loader is built rock solid for the long haul.

Step up your game

With advantages such as nine-percent-more horsepower and nine-percent-lower fuel consumption than the 844K, plus a dedicated steering pump, the 844 P-Tier can heap heavier and haul more.

Outsized comfort

Cab boasts three more inches of legroom than previous models. Standard premium heated/ventilated seat, updated HVAC system with automatic temperature control, and redesigned sealed-switch module are placed for ergonomic comfort and convenience. A 79-percent-wider door than on previous series models makes getting in and out easier.

It's easy to take control

Easier and more intuitive to operate than the controls on previous models, seat-mounted right-hand hydraulic controls feature two programmable multifunction buttons with electro-hydraulic (EH) controls.

Material matters

SmartWeigh option features dynamic weighing technology that allows operators to weigh without interrupting workflow and removes the need to lower and raise the boom after tipoff. Shared through the onboard monitor, SmartWeigh is easy to calibrate and effortlessly integrates with JDLink™ so you can track and visualize payload data from almost anywhere. Available as a factory-installed or field-kit option, you can also try SmartWeigh at a low cost for 250 machine hours.

Precision Construction

From grade management and obstacle detection to product automation features and jobsite intelligence, this suite of construction technology delivers productivity solutions to help you get more done, more efficiently.

John Deere construction equipment comes with in-base connectivity – free from subscriptions or annual renewals. Analyze critical machine data, track utilization, review diagnostic alerts, and more from **the John Deere Operations Center™**. The Operations Center also enables **John Deere Connected Support™**, which uses data from thousands of connected machines to proactively address issues before they arise. Your dealer can also remotely monitor machine health, diagnose problems, and even update machine software without a trip to the jobsite.*

*Availability varies by region and product. Options not available in every country.



SMARTWEIGH™
PAYLOAD-WEIGHING SOLUTION
IS DEERE DESIGNED & SUPPORTED



844 P

WHEEL LOADER



**OPTIONAL AUTO-LUBE SYSTEM
SAVES TIME & HASSLE**



YOU THOUGHT OF EVERYTHING

IT'S IN THE DETAILS.

Your best ideas have helped our large wheel loaders stand out on the jobsite and in the industry. These are just some of the purpose-built details that add up to push our 844 P-Tier — and your operation — to the next level.



Make the shift

Smooth-shifting transmission with lockup torque converter delivers impressive acceleration and cycle times. Design optimizes power and fuel efficiency during transport, roading, and ramp climbing.



Heavy-duty durability

Large, high-capacity, heavy-duty axles with standard axle cooling and filtration increase durability in demanding conditions compared to previous models.



Reliable redesign

Routing of the electrical and hydraulic systems has been significantly simplified to minimize friction, improving reliability and easing maintenance.



Road and go

Versatile log-handler and pipe-handler configurations deliver up to 15-percent-more full-turn tipping-load capacity than the 844K.



Buckle up

A seat-belt minder sends an alert to JDLink if the safety belt isn't latched within 30 seconds after the parking brake is released.



On the winning side

All daily service points including fuel are conveniently grouped on the left side of the machine for easy access.



While general information, pictures, and descriptions are provided, some illustrations and text may include product options and accessories NOT AVAILABLE in all regions, and in some countries products and accessories may require modifications or additions to ensure compliance with the local regulations of those countries.

Engine		844 P-TIER		
Manufacturer and Model	John Deere PowerTech™ PSS 6135	John Deere PowerTech™ Plus 6135		
Non-Road Emission Standard	EPA Final Tier 4/EU Stage V	EPA Tier 3/EU Stage IIIA		
Cylinders	6	6		
Valves per Cylinder	4	4		
Displacement	13.5 L (824 cu. in.)	13.5 L (824 cu. in.)		
Net Peak Power (ISO 9249)	311 kW (417 hp) at 1,400 rpm	311 kW (417 hp) at 1,400 rpm		
Net Peak Torque (ISO 9249)	2119 Nm (1,563 lb.-ft.) at 1,400 rpm	2119 Nm (1,563 lb.-ft.) at 1,400 rpm		
Net Torque Rise	44%	44%		
Fuel System	Mechanically actuated electronic unit injectors	Mechanically actuated electronic unit injectors		
Lubrication	Full-flow spin-on filter and integral cooler	Full-flow spin-on filter and integral cooler		
Aspiration	Series turbocharged, charge air cooled	Series turbocharged, charge air cooled		
Air Cleaner	Dual-element dry type, restriction indicator in cab monitor for service; additional centrifugal engine pre-cleaner			
Cooling				
Fan Drive	Hydraulically driven, proportionally controlled, fan aft of coolers; automatic reversing fan drive			
Electrical				
Electrical System	24 volt with 150-amp alternator			
Batteries (2 – 12 volt)	1,400 CCA (each)			
Transmission System				
Type	Countershaft-type PowerShift™ with lockup torque converter			
Torque Converter	Single stage, dual phase with freewheeling stator with lockup clutch			
Shift Control	Electronically modulated, adaptive, load and speed dependent			
Operator Interface	Steering-column or joystick-mounted F-N-R and gear-select lever; Quick-Shift button on hydraulic lever			
Shift Modes	Manual/auto (1st–5th or 2nd–5th); Quick-Shift button with 2 selectable modes: kick-down or kick-up/down; and 4 settings for clutch cutoff			
Maximum Travel Speeds (with 875/65R29 L3 tires)	<i>Standard 5-Speed With Lockup Torque Converter</i>			
	<i>Forward</i>	<i>Reverse</i>	<i>Forward</i>	<i>Reverse</i>
Range 1	6.5 km/h (4.0 mph)	6.4 km/h (4.0 mph)	6.4 km/h (4.0 mph)	6.4 km/h (4.0 mph)
Range 2	11.4 km/h (7.1 mph)	11.4 km/h (7.1 mph)	11.5 km/h (7.1 mph)	11.5 km/h (7.1 mph)
Range 3	17.4 km/h (10.8 mph)	24.9 km/h (15.5 mph)	17.4 km/h (10.8 mph)	24.7 km/h (15.3 mph)
Range 4	24.8 km/h (15.4 mph)	N/A	24.6 km/h (15.3 mph)	N/A
Range 5	40.0 km/h (24.9 mph)	N/A	40.0 km/h (24.9 mph)	N/A
Axles/Brakes				
Final Drives	Heavy-duty mid-board planetary			
Differentials	Conventional differential front and rear – standard; hydraulic locking front with conventional rear – optional; dual locking front and rear – optional			
Rear Axle Oscillation, Stop to Stop				
With 29.5 R 25, 1 Star L3 Tires	26 deg. (13 deg. each direction)			
With 875/65R29 L3 Tires	16 deg. (8 deg. each direction)			
Brakes (conform to ISO 3450)				
Service	Outboard, forced oil cooled, multi disc			
Parking	Automatic spring applied, hydraulically released, sealed wet multi disc			
Tires/Wheels				
<i>(see page 9 for complete tire adjustments)</i>				
	<i>Tread Width</i>	<i>Width Over Tires</i>		
Michelin 875/65R29, 1 Star L-3	2440 mm (96.1 in.)	3408 mm (134.2 in.)		
Serviceability				
Refill Capacities		Refill Capacities (continued)		
Fuel Tank (with ground-level fueling)	534 L (141 gal.)	Transmission Reservoir With Vertical Filter	28 L (29.5 qt.)	
Diesel Exhaust Fluid (DEF) (EPA FT4/EU Stage V only)	26.3 L (6.9 gal.)	Axle Oil (front and rear, each)	68 L (72 qt.)	
Cooling System	78.75 L (83.2 qt.)	Hydraulic Reservoir and Filter	181.7 L (48 gal.)	
Engine Oil With Vertical Spin-On Filter	40 L (42.3 qt.)	Park Brake Oil (wet disc)	0.7 L (24 oz.)	
Hydraulic System/Steering				
Loader Pumps	2 variable-displacement, load-sensing axial-piston pumps; closed-center system			
Maximum Rated Flow at 6895 kPa (1,000 psi) at 2,000 rpm	570 L/m (150.5 gpm)			
System Relief Pressure	24 900 kPa (3,611 psi)			
Steering Pump	1 variable-displacement, load-sensing axial-piston pump; closed-center system			
Maximum Rated Flow at 6895 kPa (1,000 psi) at 2,000 rpm	199.5 L/m (52.7 gpm)			
System Relief Pressure	24 900 kPa (3,611 psi)			
Loader Controls	2-function valve; single- or dual-lever controls; control lever lockout feature; optional 3rd-function valve with auxiliary levers			

844 P-TIER WHEEL LOADER SPECIFICATIONS

844

P

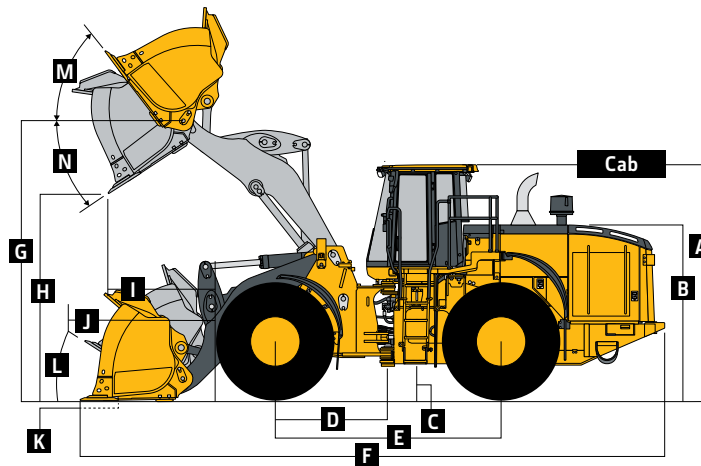
While general information, pictures, and descriptions are provided, some illustrations and text may include product options and accessories NOT AVAILABLE in all regions, and in some countries products and accessories may require modifications or additions to ensure compliance with the local regulations of those countries.

Hydraulic System/Steering (continued) 844 P-TIER

Steering (conforms to ISO 5010)

Type	Power, fully hydraulic; single-lever control and adjustable wristrest with conventional steering wheel override
Articulation Angle	80-deg. arc (40 deg. each direction)
Turning Radius (measured to centerline of outside tire)	6.30 m (20 ft. 8 in.)
Hydraulic Cycle Times	<i>Standard Lift</i>
Raise	5.9 sec.
Dump	1.9 sec.
Lower (float down)	3.6 sec.
Total	11.4 sec.

Dimensions and Specifications With Pin-On Bucket



844 P-TIER STANDARD-LIFT LOADER WITH PIN-ON BUCKET

Dimensions With Bucket	5.5-m ³ (72.5 cu. yd.) general purpose			5.7-m ³ (7.5 cu. yd.) enhanced performance			6.1-m ³ (8.0 cu. yd.) material-handling enhanced performance		4.8-m ³ (6.3 cu. yd.) spade-nose rock with wear liners		5.7-m ³ (7.5 cu. yd.) material-handling narrow
	bolt-on edge	teeth and segments	JAGZ™	bolt-on edge	teeth and segments	JAGZ	bolt-on edge	JAGZ	bolt-on edge	teeth and segments	bolt-on edge
A Height to Top of Cab	3.73 m (12 ft. 3 in.)	3.73 m (12 ft. 3 in.)	3.73 m (12 ft. 3 in.)	3.73 m (12 ft. 3 in.)	3.73 m (12 ft. 3 in.)	3.73 m (12 ft. 3 in.)	3.73 m (12 ft. 3 in.)	3.73 m (12 ft. 3 in.)	3.73 m (12 ft. 3 in.)	3.73 m (12 ft. 3 in.)	3.73 m (12 ft. 3 in.)
B Hood Height	2.74 m (9 ft. 0 in.)	2.74 m (9 ft. 0 in.)	2.74 m (9 ft. 0 in.)	2.74 m (9 ft. 0 in.)	2.74 m (9 ft. 0 in.)	2.74 m (9 ft. 0 in.)	2.74 m (9 ft. 0 in.)	2.74 m (9 ft. 0 in.)	2.74 m (9 ft. 0 in.)	2.74 m (9 ft. 0 in.)	2.74 m (9 ft. 0 in.)
C Ground Clearance	463 mm (18.2 in.)	463 mm (18.2 in.)	463 mm (18.2 in.)	463 mm (18.2 in.)	463 mm (18.2 in.)	463 mm (18.2 in.)	463 mm (18.2 in.)	463 mm (18.2 in.)	463 mm (18.2 in.)	463 mm (18.2 in.)	463 mm (18.2 in.)
D Length From Centerline to Front Axle	1.85 m (6 ft. 1 in.)	1.85 m (6 ft. 1 in.)	1.85 m (6 ft. 1 in.)	1.85 m (6 ft. 1 in.)	1.85 m (6 ft. 1 in.)	1.85 m (6 ft. 1 in.)	1.85 m (6 ft. 1 in.)	1.85 m (6 ft. 1 in.)	1.85 m (6 ft. 1 in.)	1.85 m (6 ft. 1 in.)	1.85 m (6 ft. 1 in.)
E Wheelbase	3.70 m (12 ft. 2 in.)	3.70 m (12 ft. 2 in.)	3.70 m (12 ft. 2 in.)	3.70 m (12 ft. 2 in.)	3.70 m (12 ft. 2 in.)	3.70 m (12 ft. 2 in.)	3.70 m (12 ft. 2 in.)	3.70 m (12 ft. 2 in.)	3.70 m (12 ft. 2 in.)	3.70 m (12 ft. 2 in.)	3.70 m (12 ft. 2 in.)
F Overall Length, Bucket on Ground	9.71 m (31 ft. 10 in.)	9.97 m (32 ft. 9 in.)	9.71 m (31 ft. 10 in.)	9.79 m (32 ft. 1 in.)	10.04 m (32 ft. 11 in.)	9.79 m (32 ft. 1 in.)	9.86 m (32 ft. 4 in.)	9.86 m (32 ft. 4 in.)	9.89 m (32 ft. 5 in.)	9.93 m (32 ft. 7 in.)	9.99 m (32 ft. 9 in.)
G Height to Hinge Pin, Fully Raised	4.60 m (15 ft. 1 in.)	4.60 m (15 ft. 1 in.)	4.60 m (15 ft. 1 in.)	4.60 m (15 ft. 1 in.)	4.60 m (15 ft. 1 in.)	4.60 m (15 ft. 1 in.)	4.60 m (15 ft. 1 in.)	4.60 m (15 ft. 1 in.)	4.60 m (15 ft. 1 in.)	4.60 m (15 ft. 1 in.)	4.60 m (15 ft. 1 in.)
H Dump Clearance, 45 deg., Full Height	3.30 m (10 ft. 10 in.)	3.11 m (10 ft. 2 in.)	3.30 m (10 ft. 10 in.)	3.26 m (10 ft. 8 in.)	3.06 m (10 ft. 0 in.)	3.26 m (10 ft. 8 in.)	3.21 m (10 ft. 6 in.)	3.21 m (10 ft. 6 in.)	3.19 m (10 ft. 6 in.)	3.17 m (10 ft. 5 in.)	3.10 m (10 ft. 2 in.)
I Reach, 45-deg. Dump, Full Height	1.49 m (4 ft. 11 in.)	1.49 m (4 ft. 11 in.)	1.49 m (4 ft. 11 in.)	1.55 m (5 ft. 1 in.)	1.55 m (5 ft. 1 in.)	1.55 m (5 ft. 1 in.)	1.59 m (5 ft. 3 in.)	1.59 m (5 ft. 3 in.)	1.63 m (5 ft. 4 in.)	1.66 m (5 ft. 5 in.)	1.65 m (5 ft. 5 in.)
J Reach, 45-deg. Dump, 2.13-m (7 ft. 0 in.) Clearance	2.27 m (7 ft. 5 in.)	2.27 m (7 ft. 5 in.)	2.26 m (7 ft. 5 in.)	2.30 m (7 ft. 7 in.)	2.30 m (7 ft. 7 in.)	2.30 m (7 ft. 7 in.)	2.33 m (7 ft. 8 in.)	2.33 m (7 ft. 8 in.)	2.36 m (7 ft. 9 in.)	2.38 m (7 ft. 10 in.)	2.38 m (7 ft. 10 in.)
K Maximum Digging Depth	115 mm (4.5 in.)	115 mm (4.5 in.)	117 mm (4.6 in.)	115 mm (4.5 in.)	115 mm (4.5 in.)	117 mm (4.6 in.)	122 mm (4.8 in.)	123 mm (4.8 in.)	107 mm (4.2 in.)	107 mm (4.2 in.)	132 mm (5.0 in.)
L Maximum Rollback at Ground Level	40.2 deg.	40.2 deg.	40.2 deg.	45.3 deg.	45.3 deg.	45.3 deg.	45.3 deg.	45.3 deg.	40.2 deg.	40.2 deg.	45.3 deg.
M Maximum Rollback, Boom Fully Raised	57.4 deg.	57.4 deg.	57.4 deg.	59.8 deg.	59.8 deg.	59.8 deg.	59.8 deg.	59.8 deg.	57.4 deg.	57.4 deg.	59.8 deg.
N Maximum Bucket Dump Angle, Fully Raised	46.1 deg.	46.1 deg.	46.1 deg.	46.2 deg.	46.2 deg.	46.2 deg.	46.2 deg.	46.2 deg.	41.2 deg.	41.2 deg.	46.1 deg.
Loader Clearance Circle, Bucket Carry Position	15.06 m (49 ft. 5 in.)	15.13 m (49 ft. 8 in.)	14.97 m (49 ft. 1 in.)	15.07 m (49 ft. 5 in.)	15.23 m (50 ft. 0 in.)	15.09 m (49 ft. 6 in.)	15.11 m (49 ft. 7 in.)	15.13 m (49 ft. 8 in.)	14.99 m (49 ft. 2 in.)	15.17 m (49 ft. 9 in.)	14.78 m (48 ft. 6 in.)

844 P-TIER

While general information, pictures, and descriptions are provided, some illustrations and text may include product options and accessories NOT AVAILABLE in all regions, and in some countries products and accessories may require modifications or additions to ensure compliance with the local regulations of those countries.

Dimensions and Specifications With Pin-On Bucket (continued) 844 P-TIER

Specifications With Bucket	5.5-m ³ (725 cu. yd.) general purpose			5.7-m ³ (75 cu. yd.) enhanced performance			6.1-m ³ (80 cu. yd.) material-handling enhanced performance		4.8-m ³ (6.3 cu. yd.) spade-nose rock with wear liners		5.7-m ³ (75 cu. yd.) material-handling narrow
	bolt-on edge	teeth and segments	JAGZ™	bolt-on edge	teeth and segments	JAGZ	bolt-on edge	JAGZ	bolt-on edge	teeth and segments	bolt-on edge
Capacity, Heaped	5.5 m ³ (725 cu. yd.)	5.5 m ³ (725 cu. yd.)	5.5 m ³ (725 cu. yd.)	5.7 m ³ (75 cu. yd.)	5.7 m ³ (75 cu. yd.)	5.7 m ³ (75 cu. yd.)	6.1 m ³ (80 cu. yd.)	6.1 m ³ (80 cu. yd.)	4.8 m ³ (6.3 cu. yd.)	4.8 m ³ (6.3 cu. yd.)	5.7 m ³ (75 cu. yd.)
Capacity, Heaped at 110% Fill Factor	6.1 m ³ (798 cu. yd.)	6.1 m ³ (798 cu. yd.)	6.1 m ³ (798 cu. yd.)	6.3 m ³ (825 cu. yd.)	6.3 m ³ (825 cu. yd.)	6.3 m ³ (825 cu. yd.)	6.3 m ³ (88 cu. yd.)	6.3 m ³ (88 cu. yd.)	5.3 m ³ (6.9 cu. yd.)	5.3 m ³ (6.9 cu. yd.)	6.3 m ³ (825 cu. yd.)
Capacity, Struck	4.7 m ³ (6.2 cu. yd.)	4.7 m ³ (6.2 cu. yd.)	4.7 m ³ (6.2 cu. yd.)	4.7 m ³ (6.2 cu. yd.)	4.7 m ³ (6.2 cu. yd.)	4.7 m ³ (6.2 cu. yd.)	5.0 m ³ (6.6 cu. yd.)	5.0 m ³ (6.6 cu. yd.)	4.1 m ³ (5.4 cu. yd.)	4.1 m ³ (5.4 cu. yd.)	5.0 m ³ (6.6 cu. yd.)
Bucket Weight With Bolt-On Cutting Edge	3515 kg (7749 lb.)	3786 kg (8,347 lb.)	3673 kg (8,098 lb.)	3763 kg (8,296 lb.)	3957 kg (8,724 lb.)	3843 kg (8,472 lb.)	3835 kg (8,455 lb.)	3915 kg (8,631 lb.)	4217 kg (9,297 lb.)	4347 kg (9,583 lb.)	3551 kg (7,740 lb.)
Bucket Width	3.46 m (11 ft. 4 in.)	3.47 m (11 ft. 5 in.)	3.47 m (11 ft. 5 in.)	3.46 m (11 ft. 4 in.)	3.47 m (11 ft. 5 in.)	3.47 m (11 ft. 5 in.)	3.45 m (11 ft. 4 in.)	3.47 m (11 ft. 5 in.)	3.49 m (11 ft. 6 in.)	3.49 m (11 ft. 6 in.)	3.00 m (9 ft. 10 in.)
Breakout Force	22 194 kg (48,929 lb.)	19 071 kg (42,044 lb.)	22 117 kg (48,760 lb.)	20 121 kg (44,359 lb.)	17 379 kg (38,314 lb.)	20 073 kg (44,253 lb.)	19 209 kg (42,349 lb.)	19 158 kg (42,236 lb.)	19 660 kg (43,343 lb.)	16 870 kg (37,192 lb.)	17 899 kg (39,460 lb.)
Tipping Load, Straight, No Tire Deflection											
EPA FT4/EU Stage V	24 616 kg (54,269 lb.)	24 281 kg (53,530 lb.)	24 429 kg (53,857 lb.)	24 524 kg (54,066 lb.)	24 281 kg (53,530 lb.)	24 418 kg (53,832 lb.)	24 302 kg (53,577 lb.)	24 196 kg (53,343 lb.)	23 951 kg (52,803 lb.)	23 751 kg (52,362 lb.)	24 204 kg (53,361 lb.)
EPA Tier 3/EU Stage IIIA	24 200 kg (53,353 lb.)	23 865 kg (52,615 lb.)	24 013 kg (52,941 lb.)	24 106 kg (53,145 lb.)	23 850 kg (52,581 lb.)	24 000 kg (52,912 lb.)	23 886 kg (52,661 lb.)	23 780 kg (52,426 lb.)	23 533 kg (51,882 lb.)	23 333 kg (51,442 lb.)	24 204 kg (53,361 lb.)
Tipping Load, Straight, With Tire Deflection											
EPA FT4/EU Stage V	23 304 kg (51,376 lb.)	22 971 kg (50,642 lb.)	23 118 kg (50,966 lb.)	23 157 kg (51,052 lb.)	22 902 kg (50,490 lb.)	23 052 kg (50,821 lb.)	22 938 kg (50,570 lb.)	22 833 kg (50,338 lb.)	22 644 kg (49,921 lb.)	22 446 kg (49,485 lb.)	21 340 kg (47,047 lb.)
EPA Tier 3/EU Stage IIIA	22 920 kg (50,530 lb.)	22 587 kg (49,796 lb.)	22 734 kg (50,120 lb.)	22 773 kg (50,206 lb.)	22 521 kg (49,650 lb.)	22 668 kg (49,974 lb.)	22 557 kg (49,730 lb.)	22 452 kg (49,498 lb.)	22 257 kg (49,068 lb.)	22 059 kg (48,632 lb.)	22 842 kg (50,358 lb.)
Tipping Load, 37-deg. Partial Turn											
EPA FT4/EU Stage V	21 729 kg (47,904 lb.)	21 394 kg (47,166 lb.)	21 542 kg (47,492 lb.)	21 622 kg (47,668 lb.)	21 366 kg (47,104 lb.)	21 517 kg (47,437 lb.)	21 416 kg (47,214 lb.)	21 309 kg (46,978 lb.)	21 049 kg (46,405 lb.)	20 849 kg (45,964 lb.)	20 876 kg (46,024 lb.)
EPA Tier 3/EU Stage IIIA	21 355 kg (47,081 lb.)	21 020 kg (46,343 lb.)	21 168 kg (46,669 lb.)	21 246 kg (46,841 lb.)	20 991 kg (46,277 lb.)	21 141 kg (46,608 lb.)	21 042 kg (46,390 lb.)	20 935 kg (46,155 lb.)	20 673 kg (45,578 lb.)	20 473 kg (45,137 lb.)	21 339 kg (47,046 lb.)
Tipping Load, 40-deg. Full Turn, No Tire Deflection											
EPA FT4/EU Stage V	21 262 kg (46,875 lb.)	20 927 kg (46,136 lb.)	21 075 kg (46,462 lb.)	21 153 kg (46,634 lb.)	20 897 kg (46,070 lb.)	21 047 kg (46,401 lb.)	20 949 kg (46,185 lb.)	20 842 kg (45,949 lb.)	20 579 kg (45,369 lb.)	20 380 kg (44,930 lb.)	22 842 kg (50,358 lb.)
EPA Tier 3/EU Stage IIIA	20 895 kg (46,066 lb.)	20 560 kg (45,328 lb.)	20 708 kg (45,653 lb.)	20 784 kg (45,821 lb.)	20 528 kg (45,257 lb.)	20 678 kg (45,588 lb.)	20 581 kg (45,375 lb.)	20 475 kg (45,140 lb.)	20 210 kg (44,557 lb.)	20 010 kg (44,116 lb.)	20 876 kg (46,024 lb.)
Tipping Load, 40-deg. Full Turn, With Tire Deflection											
EPA FT4/EU Stage V	19 620 kg (43,255 lb.)	19 290 kg (42,527 lb.)	19 434 kg (42,845 lb.)	19 446 kg (42,871 lb.)	19 194 kg (42,315 lb.)	19 341 kg (42,640 lb.)	19 245 kg (42,428 lb.)	19 140 kg (42,196 lb.)	18 945 kg (41,767 lb.)	18 747 kg (41,330 lb.)	19 173 kg (42,269 lb.)
EPA Tier 3/EU Stage IIIA	19 293 kg (42,534 lb.)	18 963 kg (41,806 lb.)	19 110 kg (42,130 lb.)	19 119 kg (42,150 lb.)	18 867 kg (41,595 lb.)	19 017 kg (41,925 lb.)	18 921 kg (41,714 lb.)	18 816 kg (41,482 lb.)	18 621 kg (41,046 lb.)	18 420 kg (40,609 lb.)	19 173 kg (42,269 lb.)
Rated Operating Load, 50% Full-Turn Tipping Load, With Tire Deflection (conforms to ISO 14397-1)*											
EPA FT4/EU Stage V	9810 kg (21,627 lb.)	9645 kg (21,264 lb.)	9717 kg (21,422 lb.)	9723 kg (21,436 lb.)	9597 kg (21,158 lb.)	9670.5 kg (21,320 lb.)	9623 kg (21,214 lb.)	9570 kg (21,098 lb.)	9473 kg (20,883 lb.)	9374 kg (20,665 lb.)	9587 kg (21,136 lb.)
EPA Tier 3/EU Stage IIIA	9646 kg (21,267 lb.)	9481 kg (20,903 lb.)	9555 kg (21,065 lb.)	9559 kg (21,075 lb.)	9433 kg (20,797 lb.)	9508 kg (20,963 lb.)	9460 kg (20,857 lb.)	9408 kg (20,741 lb.)	9309 kg (20,523 lb.)	9210 kg (20,305 lb.)	9586 kg (21,135 lb.)
Operating Weight											
EPA FT4/EU Stage V	33 943 kg (74,831 lb.)	34 216 kg (75,433 lb.)	34 103 kg (75,184 lb.)	34 194 kg (75,385 lb.)	34 387 kg (75,810 lb.)	34 273 kg (75,559 lb.)	34 265 kg (75,541 lb.)	34 345 kg (75,718 lb.)	34 647 kg (76,383 lb.)	34 777 kg (76,670 lb.)	34 146 kg (75,279 lb.)
EPA Tier 3/EU Stage IIIA	33 666 kg (74,221 lb.)	33 939 kg (74,823 lb.)	33 826 kg (74,573 lb.)	33 916 kg (74,727 lb.)	34 109 kg (75,197 lb.)	33 996 kg (74,948 lb.)	33 988 kg (74,931 lb.)	34 068 kg (75,107 lb.)	34 370 kg (75,773 lb.)	34 500 kg (76,059 lb.)	34 146 kg (75,279 lb.)

Loader operating information is based on machine with identified linkage and standard equipment, PowerTech PSS 6135 (EPA Final Tier 4/EU Stage V) engine, ROPS cab, rear cast bumper/counterweight, transmission side-frame guards, bottom guards, standard tires, full fuel tank, and 79-kg (175 lb.) operator. This information is affected by changes in tires, ballast, and different attachments.

*Rated operating capacity based on Deere attachments only.

844 P-TIER LOG HANDLER Dimensions and Specifications With Pin-On Miliary Forks

Dimensions With Miliary Forks	Standard-Lift		Specifications With Miliary Forks	Standard-Lift	
	Rockland with 2.13-m (84 in.) tine length			Rockland with 2.13-m (84 in.) tine length	
Height to Top of Cab	3.73 m (12 ft. 3 in.)		Tipping Load, Straight, No Tire Deflection	EPA FT4/EU Stage V	
Hood Height	2.74 m (9 ft. 0 in.)			EPA Tier 3/EU Stage IIIA	
Ground Clearance	463 mm (18.2 in.)		Tipping Load, Straight, With Tire Deflection	18 099 kg (39,901 lb.)	
Length From Centerline to Front Axle	1.85 m (6 ft. 1 in.)			17 178 kg (37,871 lb.)	
Wheelbase	3.70 m (12 ft. 2 in.)		Tipping Load, 37-deg. Partial Turn	15 774 kg (34,776 lb.)	
Overall Length, Forks on Ground	10.74 m (35 ft. 3 in.)			15 568 kg (34,322 lb.)	
Height to Hinge Pin, Fully Raised	4.60 m (15 ft. 1 in.)		Tipping Load, 40-deg. Full Turn, No Tire Deflection	15 398 kg (33,947 lb.)	
Reach, Fully Raised	3.06 m (10 ft. 0 in.)			15 195 kg (33,499 lb.)	
Fork Height, Fully Raised	3.33 m (10 ft. 11 in.)		Tipping Load, 40-deg. Full Turn, With Tire Deflection	14 457 kg (31,872 lb.)	
Maximum Reach, Fork Level	4.04 m (13 ft. 3 in.)			14 274 kg (31,469 lb.)	
Fork Height, Maximum Reach	1.32 m (4 ft. 3.97 in.)		Operating Weight		36 693 kg (80,894 lb.)
Reach, Ground Level	3.44 m (11 ft. 3 in.)		36 490 kg (80,447 lb.)		
Depth Below Ground	164 mm (6.5 in.)		Loader operating information is based on machine with identified linkage and standard equipment, PowerTech PSS 6135 (EPA Final Tier 4/EU Stage V) engine, ROPS cab, rear cast bumper/counterweight, transmission side-frame guards, bottom guards, standard tires, full fuel tank, and 79-kg (175 lb.) operator. This information is affected by changes in tires, ballast, and different attachments.		
Tine Length	2.13 m (84 in.)				
Grapple Weight	4468 kg (9,850 lb.)				
Overall Grapple Width	2.74 m (108 in.) (9 ft. 0 in.)				

While general information, pictures, and descriptions are provided, some illustrations and text may include product options and accessories NOT AVAILABLE in all regions, and in some countries products and accessories may require modifications or additions to ensure compliance with the local regulations of those countries.

844 P-TIER

Dimensions and Specifications

With Pin-On Pipe Grapple

844 P-TIER PIPE HANDLER

	Standard-Lift Rockland with 0.10-m x 0.25-m x 2.44-m (4 in. x 10 in. x 96 in.) tine length	Standard-Lift Rockland with 0.10-m x 0.25-m x 2.44-m (4 in. x 10 in. x 96 in.) tine length
Dimensions With Pipe Grapple		
Height to Top of Cab	3.73 m (12 ft. 3 in.)	EPA FT4/EU Stage V EPA Tier 3/EU Stage IIIA
Hood Height	2.74 m (9 ft. 0 in.)	16 143 kg (35,589 lb.) 15 939 kg (35,139 lb.)
Ground Clearance	463 mm (18.2 in.)	
Length From Centerline to Front Axle	1.85 m (6 ft. 1 in.)	Tipping Load, Straight, With Tire Deflection 15 630 kg (34,458 lb.) 15 435 kg (34,028 lb.)
Wheelbase	3.70 m (12 ft. 2 in.)	
Overall Length, Forks on Ground	11.04 m (36 ft. 3 in.)	Tipping Load, 37-deg. Partial Turn 14 096 kg (31,076 lb.) 13 914 kg (30,675 lb.)
Height to Hinge Pin, Fully Raised	4.60 m (15 ft. 1 in.)	Tipping Load, 40-deg. Full Turn, No Tire Deflection 13 765 kg (30,347 lb.) 13 587 kg (29,954 lb.)
Reach, Fully Raised	3.37 m (11 ft. 1 in.)	
Fork Height, Fully Raised	3.46 m (11 ft. 4 in.)	Tipping Load, 40-deg. Full Turn, With Tire Deflection 13 065 kg (28,803 lb.) 12 897 kg (28,433 lb.)
Maximum Reach, Fork Level	4.36 m (14 ft. 4 in.)	
Fork Height, Maximum Reach	1.32 m (4 ft. 4 in.)	Operating Weight 36 149 kg (79,695 lb.) 35 945 kg (79,245 lb.)
Reach, Ground Level	3.66 m (12 ft. 0 in.)	
Depth Below Ground	38 mm (1.5 in.)	
Tine Length	2.44 m (96 in.)	
Grapple Weight	3924 kg (8,651 lb.)	
Overall Grapple Width	3.05 m (10 ft. 0 in.)	

Loader operating information is based on machine with identified linkage and standard equipment, PowerTech PSS 6135 (EPA Final Tier 4/EU Stage V) engine, ROPS cab, rear cast bumper/counterweight, transmission side-frame guards, bottom guards, standard tires, full fuel tank, and 79-kg (175 lb.) operator. This information is affected by changes in tires, ballast, and different attachments.

Adjustments to Operating Weights and Tipping Loads With Buckets

Adjustments to operating weights, tipping loads, and tires are based on Standard-Lift machine with pin-on 5.5-m³ (7.25 cu. yd.) general-purpose bucket with bolt-on cutting edge, ROPS cab, rear cast bumper/counterweight, transmission side-frame guards, bottom guards, standard tires, full fuel tank, and 79-kg (175 lb.) operator*

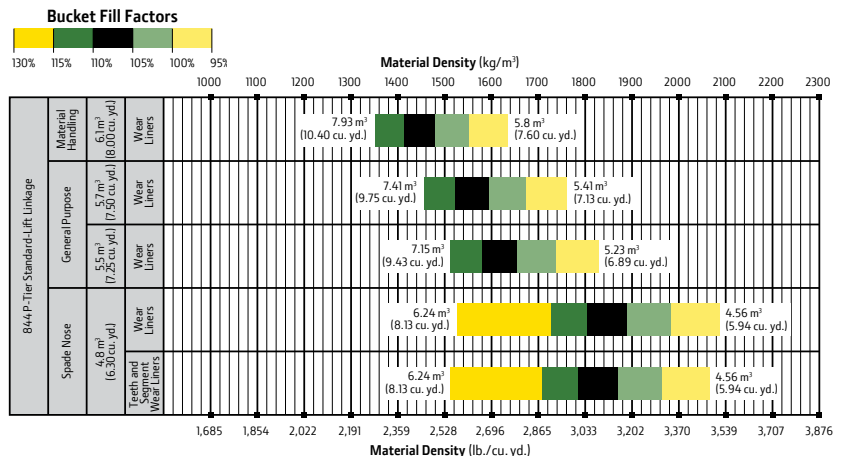
Add (+) or deduct (-) kg (lb.) as indicated for loaders with 3-piece rims	Operating Weight	Tipping Load,			Tread Width	Width Over Tires	Vertical Height
		Straight	37-deg. Partial Turn	40-deg. Full Turn			
Michelin 875/65R29, 1 Star L-3 [§]	0 kg (0 lb.)	0 kg (0 lb.)	0 kg (0 lb.)	0 kg (0 lb.)	0 mm (0 in.)	0 mm (0 in.)	0 mm (0 in.)
Bridgestone 875/65R29, 1 Star L-3 [§]	+388 kg (+855 lb.)	+288 kg (+635 lb.)	+259 kg (+571 lb.)	+254 kg (+560 lb.)	0 mm (0 in.)	-31 mm (-1.2 in.)	+16 mm (+0.62 in.)
Michelin 29.5 R 25, 2 Star L-3	-452 kg (-996 lb.)	-336 kg (-741 lb.)	-302 kg (-666 lb.)	-296 kg (-653 lb.)	0 mm (0 in.)	-132 mm (-5.2 in.)	+3 mm (+0.11 in.)
Titan 29.5 R 25, 1 Star L-3	-392 kg (-864 lb.)	-291 kg (-642 lb.)	-262 kg (-578 lb.)	-257 kg (-567 lb.)	0 mm (0 in.)	-133 mm (-5.2 in.)	+4 mm (+0.15 in.)
Bridgestone 29.5 R 25, 1 Star L-3	-336 kg (-741 lb.)	-250 kg (-551 lb.)	-224 kg (-494 lb.)	-220 kg (-484 lb.)	0 mm (0 in.)	-120 mm (-4.7 in.)	+9 mm (+0.3 in.)
Firestone 29.5-25, 28-Ply L-3	+40 kg (+88 lb.)	+30 kg (+66 lb.)	+27 kg (+60 lb.)	+26 kg (+57 lb.)	0 mm (0 in.)	-112 mm (-4.4 in.)	-9 mm (-0.35 in.)
Bridgestone 29.5 R 25, 1 Star L-5 [§]	+900 kg (+1,984 lb.)	+669 kg (+1,475 lb.)	+601 kg (+1,325 lb.)	+590 kg (+1,301 lb.)	0 mm (0 in.)	-116 mm (-4.6 in.)	+45 mm (+1.77 in.)
Michelin 29.5 R 25, 1 Star L-5 [§]	+356 kg (+785 lb.)	+264 kg (+582 lb.)	+238 kg (+525 lb.)	+233 kg (+514 lb.)	0 mm (0 in.)	-112 mm (-4.4 in.)	+26 mm (+1.02 in.)
5.5-m ³ (7.25 cu. yd.) General-Purpose Bucket With Wear Liners	+359 kg (+792 lb.)	-378 kg (-834 lb.)	-378 kg (-833 lb.)	-378 kg (-834 lb.)	N/A	N/A	N/A
5.7-m ³ (7.5 cu. yd.) Enhanced-Performance Bucket With Wear Liners	+253 kg (+557 lb.)	-263 kg (-581 lb.)	-264 kg (-584 lb.)	-264 kg (-584 lb.)	N/A	N/A	N/A
6.1-m ³ (8.0 cu. yd.) Material-Handling Bucket With Wear Liners	+253 kg (+557 lb.)	-265 kg (-586 lb.)	-266 kg (-587 lb.)	-267 kg (-588 lb.)	N/A	N/A	N/A

*May change based on vehicle configuration, weight, or tire-pressure adjustments.

[§]Requires 8-deg. rear axle stops.

Bucket Selection Guides

LOOSE MATERIALS	kg/m ³	lb./cu. yd.	LOOSE MATERIALS	kg/m ³	lb./cu. yd.
Chips, pulpwood	288	486	Limestone, coarse, sized	1570	2,646
Cinders (coal, ashes, clinkers)	673	1,134	Limestone, mixed sizes	1682	2,835
Clay and gravel, dry	1602	2,700	Limestone, pulverized or crushed	1362	2,295
Clay, compact, solid	1746	2,943	Sand, damp	2083	3,510
Clay, dry in lump loose	1009	1,701	Sand, dry	1762	2,970
Clay, excavated in water	1282	2,160	Sand, voids, full of water	2083	3,510
Coal, anthracite, broken, loose	865	1,458	Sandstone, quarried	1314	2,214
Coal, bituminous, moderately wet	801	1,350	Shale, broken crushed	1362	2,295
Earth, common loam, dry	1218	2,052	Slag, furnace granulated	1955	3,294
Earth, mud, packed	1843	3,105	Stone or gravel, 37.5 to 87.5-mm (1.5 to 3.5 in.) size	1442	2,430
Granite, broken	1538	2,592	Stone or gravel, 18.75-mm (0.75 in.) size	1602	2,700
Gypsum	2275	3,834			



Additional equipment

Key: ● Standard ▲ Optional or special

See your John Deere dealer for further information.

844 P Engine

- Wet-sleeve cylinder liners
- Programmable auto-idle and auto shutdown
- Selected idle adjustment from 900–1,250 rpm
- Starter excessive-cranking protection
- Automatic engine cool-down timer
- Automatic derating for exceeded system temperatures
- Serpentine drive belt for automatic tensioner
- Electrical fuel-priming pump
- Dual-stage fuel filter and water separator
- 500-hour vertical spin-on oil filter
- Engine-compartment light
- ▲ Chrome exhaust stack
- ▲ Automatic ether starting aid and engine block heater (recommended for cold starts below –12 deg. C [10 deg. F])
- Centrifugal engine air pre-cleaner
- ▲ Throttle lock

Powertrain

- Clutch cutoff with 4 operator settings: Automatic, level ground, small slope, or steep slope
- Programmable maximum high gear
- Clutch calibration engaged from monitor
- 2,000-hour vertical spin-on transmission filter
- Transmission fill tube with sight gauge
- Transmission diagnostic ports
- 5-speed transmission with lockup torque converter
- ▲ Front locking differential
- ▲ Rear locking differential
- Brake adjusters and retractors
- ▲ Automatic differential lock
- Axle oil temperature sensing
- Wheel-spin control

844 P Quad-Cool™ Cooling System

- Heavy-duty, trash-resistant radiator and high-ambient cooling package
- 2-side access to all coolers
- Isolated from engine compartment
- Engine radiator
- Integral engine oil cooler
- Hydraulic oil cooler (oil to air)
- Transmission oil cooler (oil to air)
- Charge air cooler (air to air)
- Fuel cooler
- Coolant recovery tank with under-hood lighting
- Coolant-loss sensor
- Antifreeze, –37 deg. C (–34 deg. F)
- Cool-on-demand swing-out fan
- Enclosed fan safety guard
- Automatic reversing fan drive
- Axle and service-brake coolers

Hydraulics

- Electrohydraulic control with soft stops and adjustable settings
- In-cab adjustable automatic return-to-dig bucket positioner
- In-cab adjustable automatic boom-height kickout/return to carry
- Reservoir with sight gauge and fill strainer
- Hydraulic diagnostic ports
- 4,000-hour in-tank filter
- 2 function – 2-lever fingertip controls
- ▲ 2 function – joystick
- ▲ 2 function – joystick with F-N-R (steering wheel only)
- ▲ 3 function – 3-lever fingertip controls
- ▲ 3 function – joystick with integrated 3rd-function roller
- ▲ 3 function – joystick with integrated 3rd-function roller and F-N-R (steering wheel only)
- 2 programmable multifunction buttons
- Adjustable and continuous auxiliary hydraulic-flow settings
- Programmable attachment settings

844 P Hydraulics (continued)

- Ride control, automatic with monitor-adjustable speed settings
- ▲ Hydra™ XR cold-temperature hydraulic fluid recommended below –25 deg. C (–13 deg. F)

Steering Systems

- Joystick steering with gearshift, F-N-R, and horn
- ▲ Conventional steering wheel with spinner knob
- ▲ Secondary steering

Electrical

- Solid-state electrical power-distribution system
- Lockable master electrical-disconnect switch
- Battery-terminal safety covers
- By-pass start safety cover at starter
- Remote jump-start access in battery box
- Pre-wired for beacon/strobe light
- ▲ Beacon bracket (single or dual available)
- ▲ LED strobe beacon
- Lights: Halogen driving lights with guards (2) / Front (4), rear cab (2), and rear grille (2) work lights / LEF front turn signals and flashers / LED stop- and taillights
- ▲ Premium LED work, drive, and marker lights
- Programmable courtesy lights
- Horn, electric
- Reverse warning alarm
- Multifunction/multi-language 178-mm (7 in.) LCD color monitor includes: Digital instruments – Analog display (hydraulic oil temperature, engine coolant temperature, transmission oil temperature, and engine oil pressure) / Digital display (engine rpm, transmission gear/direction indicator, hour meter, fuel level, diesel exhaust fluid [DEF] level (EPA Final Tier 4/EU Stage V only), speedometer, odometer, and average fuel consumption)

While general information, pictures, and descriptions are provided, some illustrations and text may include product options and accessories NOT AVAILABLE in all regions, and in some countries products and accessories may require modifications or additions to ensure compliance with the local regulations of those countries.

Net engine power is with standard equipment including air cleaner, exhaust system, alternator, and cooling fan at test conditions per ISO 9249. No derating is required up to 3050-m (10,000 ft.) altitude. Specifications and design subject to change without notice. Specifications with the exception of bucket capacity are in accordance with all applicable ISO standards. Except where otherwise noted, these specifications are based on a unit with applicable linkage and standard equipment, ROPS cab, rear cast bumper/counterweight, transmission side-frame guards, bottom guards, standard tires, full fuel tank, and 79-kg (175 lb.) operator.

Additional equipment *(continued)*

Key: ● Standard ▲ Optional or special

See your John Deere dealer for further information.

844 P Electrical *(continued)*

- Integrated cycle counter with 5 categories
- Indicator lights: Standard and selected options / Amber caution and red stop
- Operator-warning messages
- Built-in diagnostics: Diagnostic-code details / Sensor values / Calibrations / Individual circuit tester
- ▲ Electrical corrosion-prevention package
- Premium AM/FM/Weather Band (WB) radio with Bluetooth®, remote auxiliary port, and remote USB port
- 24- to 12-volt, 30-amp converter with 3 in-cab power ports

Operator's Station

- Quiet Cab with air conditioning/heater (ROPS/FOPS Level 2, isolation mounted)
- Automatic temperature control
- Rear window defrost vent
- Keyless start with multiple security modes
- Sealed-switch module with function indicators
- Premium seat with high-wide back and headrest extension, heated and ventilated, leather/fabric cover, pan tilt/extend, damper adjustments, and adjustable heavy-duty air suspension
- Hydraulic controls and joystick steering integrated to seat
- High-visibility, bright-orange seat belt, 76 mm (3 in.), with retractor
- Seat-belt minder monitoring with JDLink™
- ▲ Seat-belt indicator beacon light
- Cup holder and cup/thermos holder with retaining strap
- Lunch-box/cooler holder with tie-down brackets
- LED dome and reading light
- Coat hook
- Rubber floor mat
- ▲ Dual-tilt steering column (steering wheel only)
- Operator's manual storage compartment

844 P Operator's Station *(continued)*

- Outside (2) and inside (2) rearview mirrors
- ▲ In-cab adjustable heated outside mirrors with convex lens
- Left-side operator-station access
- Front window-washing platforms with fall-arrest system anchor points tested to 2268 kg (5,000 lb.)
- Slip-resistant steps and ergonomic handholds
- Pull-down front sun visor
- ▲ Pull-down rear sun visor
- CB radio ready with 12-volt power, bracket, and antennae included
- Front and rear intermittent windshield wiper and washers
- ▲ Powered cab air pre-cleaner
- Rearview camera
- ▲ Advanced rear object-detection system (EPA FT4/EU Stage V only)
- ▲ Advanced vision system
- ▲ Rear object-detection system (EPA Tier 3/EU Stage IIIA only)
- Payload scale ready
- ▲ SmartWeigh™ ready + trial
- ▲ SmartWeigh
- ▲ Fire extinguisher

Loader Linkage

- Z-Bar loader linkage

Buckets and Attachments

- ▲ Full line of Deere pin-on buckets
- ▲ Bolt-on bucket spill guard
- Bushed pin joints (including static joints) on optional Enhanced-Performance buckets

Overall Vehicle

- JDLink wireless communication system (available in specific countries; see your dealer for details)
- ▲ Auto-lube system with empty reservoir sensor and diagnostics integrated into machine diagnostics and JDLink alerts
- Front, mid, and rear tie-downs

844 P Overall Vehicle *(continued)*

- Rear cast bumper with rear hitch and locking pin
- Articulation locking bar
- 40-deg. steering articulation to each side with rubber-cushion stops on frame
- Vandal protection with lockable engine enclosures, right counterweight storage, battery box, and filler access for radiator/fuel/hydraulic transmission
- Right and left handrails, platforms, and steps
- Service steps and handholds
- Storage compartment
- Fuel-tank fill strainer
- Heavy-duty fuel-tank guard
- Ground-level fueling and DEF
- Same-side ground-level daily servicing
- Environmental drains for engine, transmission, hydraulic oils, and engine coolant
- Fluid-sampling ports for engine, transmission, hydraulic and axle oils, and engine coolant
- 29.5R25 tires on 5-piece rims
- ▲ 875/65R29 tires on 5-piece rims
- ▲ Tire-pressure monitoring system
- Level 1 sound package
- Level 2 sound package
- Transmission side-frame and bottom guards
- ▲ Fast-fluid system
- ▲ Quick-lube service (engine, transmission, hydraulic oils, and engine coolant)
- Fenders, full-coverage, front
- ▲ Fenders, full-coverage, front and rear
- ▲ Fenders, roading, full-coverage, front and rear
- Lift eyes
- ▲ Wheel-chock-mounting brackets
- ▲ License-plate bracket and light
- ▲ Log handler (Standard-Lift only)
- ▲ Pipe handler (Standard-Lift only)

While general information, pictures, and descriptions are provided, some illustrations and text may include product options and accessories NOT AVAILABLE in all regions, and in some countries products and accessories may require modifications or additions to ensure compliance with the local regulations of those countries.

Net engine power is with standard equipment including air cleaner, exhaust system, alternator, and cooling fan at test conditions per ISO 9249. No derating is required up to 3050-m (10,000 ft.) altitude. Specifications and design subject to change without notice. Specifications with the exception of bucket capacity are in accordance with all applicable ISO standards. Except where otherwise noted, these specifications are based on a unit with applicable linkage and standard equipment, ROPS cab, rear cast bumper/counterweight, transmission side-frame guards, bottom guards, standard tires, full fuel tank, and 79-kg (175 lb.) operator.



MW844PAU (23-03)



JOHN DEERE