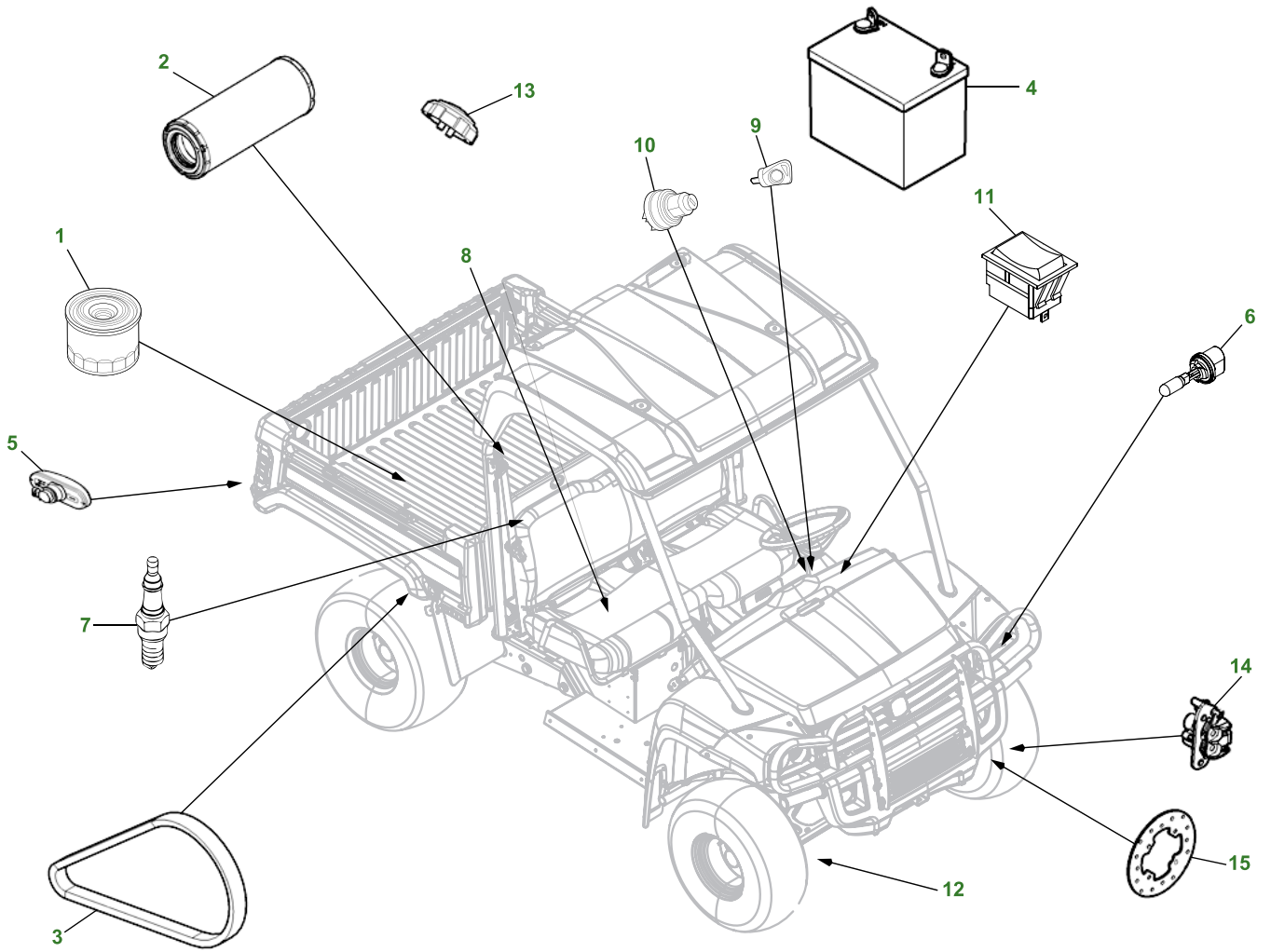


# Gator XUV825E & XUV825M 4X4 (Camo, Green & Yellow, Olive & Black)



# Gator XUV825E & XUV825M 4X4 (Camo, Green & Yellow, Olive & Black)

Key	Part No.	Description	Key	Part No.	Description
1	<a href="#">AM107423</a>	OIL FILTER	11	<a href="#">AM147340</a>	ROCKER SWITCH - HEADLIGHT
2	<a href="#">M113621</a>	AIR FILTER ELEMENT	12	<a href="#">M177842</a>	TIRE - FRONT - 26 X 9-12
3	<a href="#">M174096</a>	BELT-DRIVE		<a href="#">M177844</a>	TIRE - FRONT - SPORT - 27 X 9-14
	<a href="#">MIU13962</a>	BELT - ALTERNATOR		<a href="#">M177846</a>	TIRE - FRONT - 6 PLY - 25X 9-12
4	<a href="#">TY25881</a>	BATTERY		<a href="#">M177843</a>	TIRE - REAR - 26 X 11-12
5	<a href="#">R133302</a>	BULB - BRAKE LIGHT		<a href="#">M177845</a>	TIRE - REAR - SPORT - 27X 11-14
	<a href="#">RE49778</a>	BULB - FRONT AMBER		<a href="#">M177847</a>	TIRE - REAR - 6 PLY - 25 X 11-12
6	<a href="#">AM144882</a>	BULB - HEADLIGHT	13	<a href="#">AM146138</a>	FILLER CAP
7	<a href="#">MIU12783</a>	SPARK PLUG	14	<a href="#">AM140607</a>	BRAKE KIT - FRONT - INCLUDES 4 PADS
8	<a href="#">AM138194</a>	SEAT - YELLOW		<a href="#">AM141182</a>	BRAKE KIT - REAR - INCLUDES 4 PADS
	<a href="#">AM138195</a>	SEAT - BLACK	15	<a href="#">AM142949</a>	ROTOR
9	<a href="#">AUC12681</a>	KEY			
10	<a href="#">AUC12631</a>	IGNITION SWITCH S/N ( - 020000)			
	<a href="#">AUC14659</a>	IGNITION SWITCH S/N (( 020001 -)			

## Parts Needed in First 250 Hours of Operation

Qty	Part No.	Item	Capacity	Interval In Hours
3	<a href="#">AM107423</a>	Engine Oil Filter		8/100/200
7	<a href="#">TY22029</a>	1 qt Engine Oil Turf-Gard™ 10W30	2.3 qt (2.2 L)	8/100/200
1	<a href="#">M113621</a>	Air Filter		200
1	<a href="#">MIU12783</a>	Spark Plug		200
3	<a href="#">TY6341</a>	Multi-Purpose SD Polyurea Grease (14 oz)		As Needed

## Capacities

Crankcase (with filter)	2.2 L (2.3 qt)
4WD Front Differential	0.59 L (19.6 oz)
Transaxle	3.8 L (4.0 qt)
Cooling System (Including Recovery Tank)	5.0 L (5.2 qt)